



CSL-510T / CSL-510TF

Ceiling Speakers

Features

- 10W
- 5.5" transducer
- 50, 70, 100V operation
- 90 dB SPL

The CSL-510T and CSL-510TF are ceiling speakers dedicated to public address for foreground or background music.

The basic model CLS-510T is delivered without dome for simple installations. CLS-510TF is supplied with an aluminum protection dome or a iron fire resistant dome



Specifications

MODEL	CSL-510T	CSL-510TF
Type	100, 70, 50V	100, 70, 50V
Transducer	5.5" (8 Ohms)	5.5" (8 Ohms)
Rated Input Power	10W	10W
Transformer Tap	2.5, 5, 10W	2.5, 5, 10W
Input Impedance (100V)	1k, 2k, 4k Ohms	1k, 2k, 4k Ohms
Input Impedance (70V)	490, 1k, 2k Ohms	490, 1k, 2k Ohms
Input Impedance (50V)	250, 490, 1k Ohms	250, 490, 1k Ohms
Frequency Response	100 Hz ~ 18 kHz	100 Hz ~ 18 kHz
SPL (1W/1m)	90 dB	90 dB
Material	Metal frame, metal grille	Metal frame, metal grille
Protection	N/A	Aluminum fire dome or Iron fire dome + ceramic terminal blocks + 152° thermal fuse
Dimensions (Diam. x L)	180 x 117 mm (7.09" x 4.60")	180 x 136.5 mm (7.09" x 5.37") inc. aluminum dome 180 x 126.5 mm (7.09" x 4.98") inc. iron dome
Weight (Without dome)	1.4 kg (3.08 lbs.)	1.4 kg (3.08 lbs.) without dome

Specifications subject to modification without notice

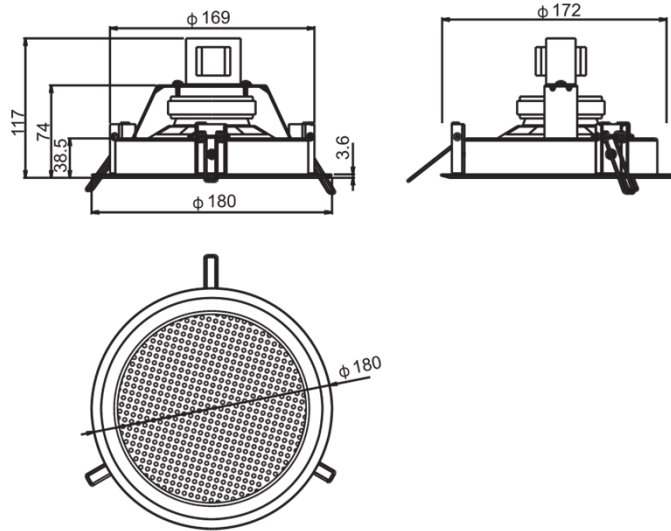


Aluminum Dome

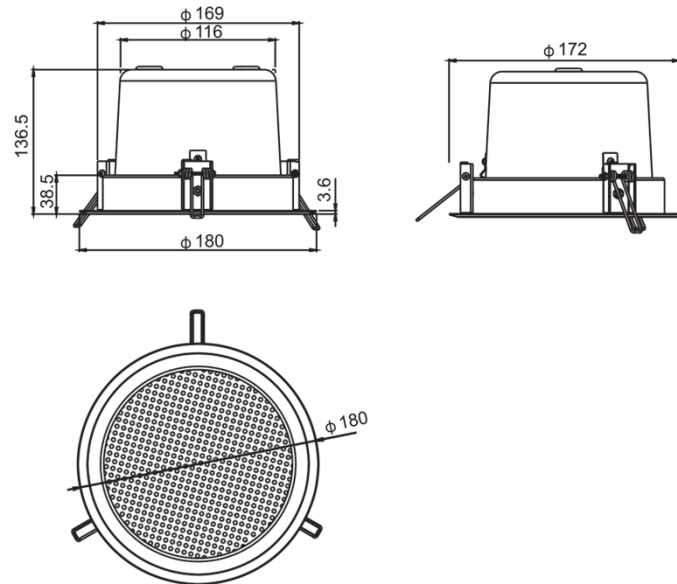


Iron Dome

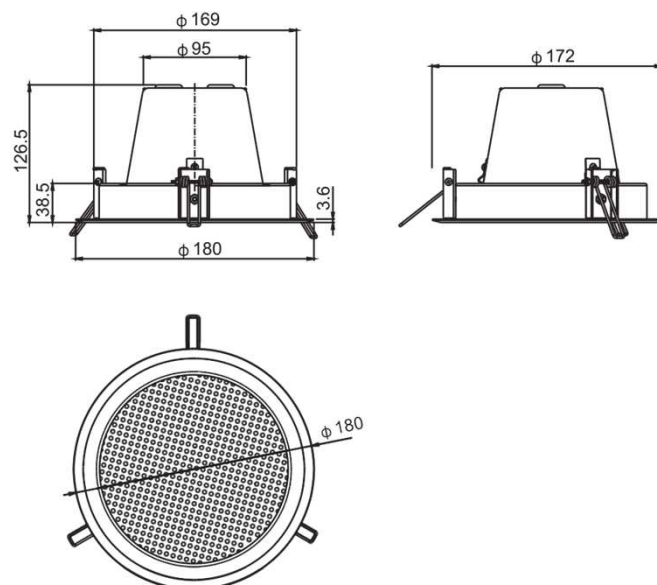
CSL-510T



CSL-510TF
(Aluminum Dome)



CSL-510TF
(Iron Dome)



SEIKAKU TECHNICAL GROUP LIMITED

NO.1 LANE 17, SEC.2, HAN SHI WEST ROAD, TAICHUNG 40151 TAIWAN

Tel: +886-4-22313737 Fax: +886-4-22346757 www.seikaku.hk