



CSL-615T / CSL-615TF

Ceiling Speakers

Features

- 15W
- 6.5" transducer
- 50, 70, 100V operation
- 92 dB SPL

The CSL-615T and CSL-615TF are ceiling speakers dedicated to public address for foreground or background music.

The basic model CSL-615T is delivered without dome for simple installations. CSL-615TF is supplied with an aluminum protection dome or a iron fire resistant dome



Specifications

MODEL	CSL-615T	CSL-615TF
Type	100, 70, 50V	100, 70, 50V
Transducer	6.5" (8 Ohms)	6.5" (8 Ohms)
Rated Input Power	15W	15W
Transformer Tap	3.75, 7.5, 15W	3.75, 7.5, 15W
Input Impedance (100V)	666, 1.33k, 2.66k Ohms	666, 1.33k, 2.66k Ohms
Input Impedance (70V)	326, 666, 1.33k Ohms	326, 666, 1.33k Ohms
Input Impedance (50V)	166, 326, 666 Ohms	166, 326, 666 Ohms
Frequency Response	100 Hz ~ 20 kHz	100 Hz ~ 20 kHz
SPL (1W/1m)	92 dB	92 dB
Material	Metal frame, metal grille	Metal frame, metal grille
Protection	N/A	Aluminum fire dome or Iron fire dome + ceramic terminal blocks + 152° thermal fuse
Dimensions (Diam. x L)	220 x 117 mm (8.66" x 4.60")	220 x 148 mm (8.66" x 5.82") inc. aluminum dome 220 x 138 mm (8.66" x 5.43") inc. iron dome
Weight (Without dome)	1.6 kg (3.52 lbs.)	1.6 kg (3.52 lbs.) without dome

Specifications subject to modification without notice

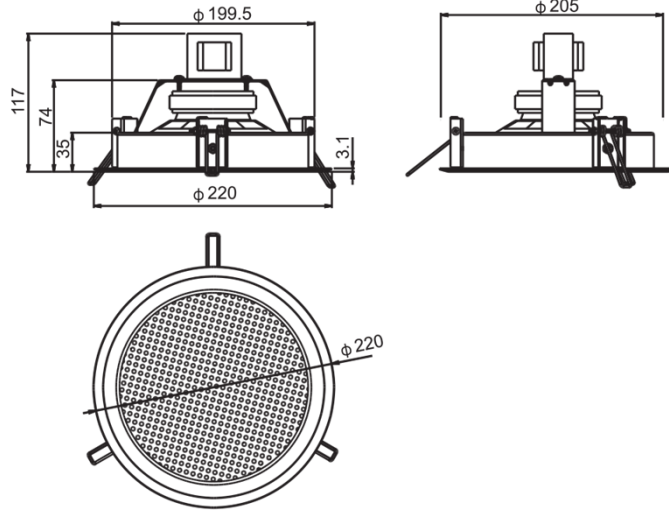


Aluminum Dome

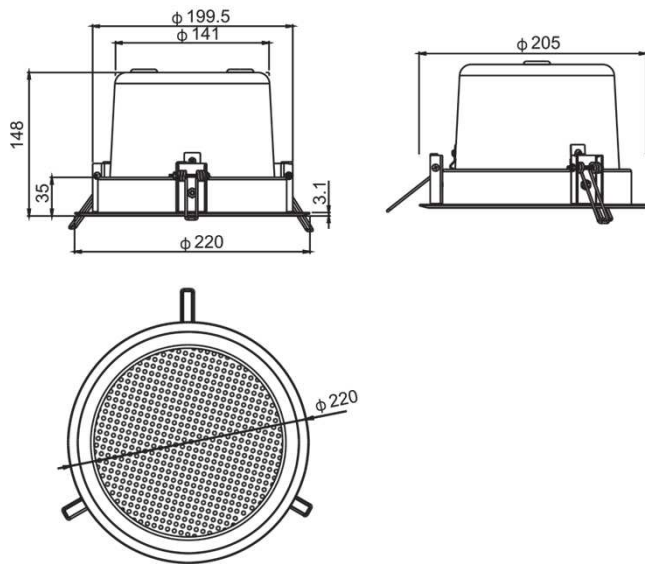


Iron Dome

CSL-615T



CSL-615TF
(Aluminum Dome)



CSL-615TF
(Iron Dome)

