

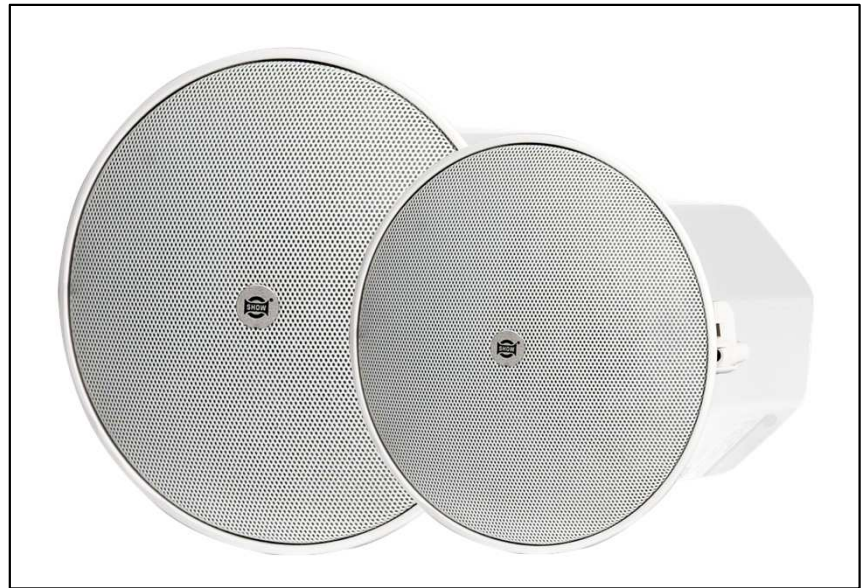


NCL-4 / NCL-6

Ceiling Speakers

Features

- 2 way
- 4" and 6.5" woofer
- Coaxial tweeter
- 40 W - 60 W /16 Ω
- 70V /100V
- Tile bridge pack
- EN54-24



NCL Series features high-quality in-ceiling speakers, delivering exceptional sound quality as well for paging and announcements as BGM.

It includes two models of two-way speaker respectively equipped with 4" and 6.5" drivers.

The stylish flat grille gives invisibility of the components, especially in rooms where discreet ceiling architecture is needed.

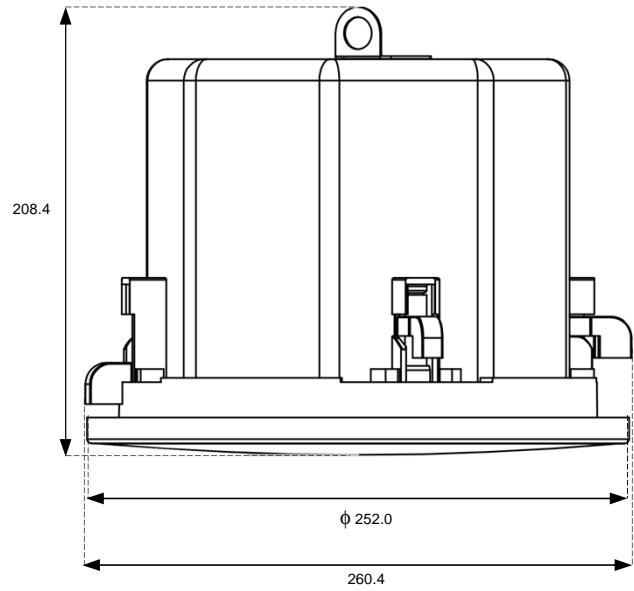
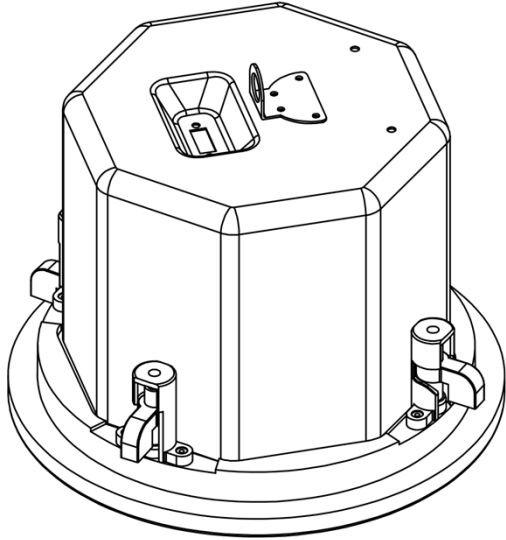
The dog ear flip tabs mounting system makes the speakers easy and quick to install.

The power ranges up to 30W and 40 W. It features power cable connection including a 16Ω position for low impedance parallel mode. The speakers are EN54-24 compliant.

Specifications

	NCL-4	NCL-6
Input power	RMS 30W	RMS 60W
Output power taps	70V: 3.7, 7.5, 15, 30W and 16Ω bypass 100V: 7.5, 15, 20, 30W and 16Ω bypass	70V: 7.5, 15, 30, 60W and 16Ω bypass 100V: 15, 30, 60W and 16Ω bypass
Speaker	4" polypropylene woofer ¾" tweeter	6.5" polypropylene woofer ¾" tweeter
Input voltage	70,100V	70,100V
Impedance	100V : 1.327kΩ, 565Ω, 328Ω, 164Ω, 16Ω bypass 70V : 565Ω, 328Ω, 164Ω and 16Ω bypass	100V : 1.327kΩ, 565Ω, 328Ω, 164Ω, 16Ω bypass 70V : 565Ω, 328Ω, 164Ω and 16Ω bypass
Frequency response	100~20KHz	65~20KHz
S.P.L	86dB (1W/ M)	88dB (1W/ M)
Mounting	Dog ear flip tabs	Dog ear flip tabs
Connection	Removable screw terminal w/loop through output	Removable screw terminal w/loop through output
Included Accessories	C-shaped support plate & tile support rails	C-shaped support plate & tile support rails

Specifications subject to modification without notice



NCL-6