



# TC-1240 / TC-1440 / TC-1640

8 Ohms Horn Speakers

## Features

- 40W
- 8 Ohms
- 106 - 109 - 112 dB SPL
- Aluminum

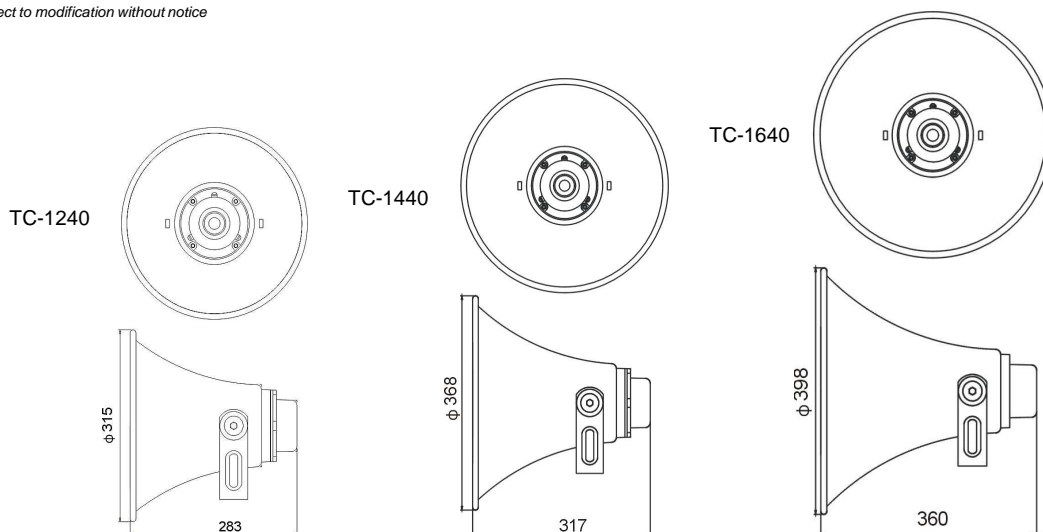


The TC-1240/1440/1640 are low impedance high quality Horn Speakers dedicated to announcement purposes. Made of aluminum and stainless steel parts the devices can be used any places indoor or outdoor. Recognized in many applications as a standard, they give incredible results especially in term of intelligibility and long distances coverage.

## Specifications

MODEL	TC-1240	TC-1440	TC-1640
Type	Reflex - Round (12")	Reflex - Round (14")	Reflex - Round (16")
Input Power (RMS)	40W	40W	40W
Impedance	8 Ohms	8 Ohms	8 Ohms
Frequency Response	250 ~ 6kHz	250 ~ 5.5kHz	250 ~ 5kHz
SPL	106 dB	109 dB	112 dB
Coverage (at 1kHz)	80° conical	60° conical	1000° conical
Material	Aluminum	Aluminum	Aluminum
Pantone	Cool gray 6C	Cool gray 6C	Cool gray 6C
Weight (Approx.)	1.9 kg (4.19 lbs.)	2.0 kg (4.41 lbs.)	2.1 kg (4.63 lbs.)

Specifications subject to modification without notice



## SEIKAKU TECHNICAL GROUP LIMITED

NO.1 LANE 17, SEC.2, HAN SHI WEST ROAD, TAICHUNG 40151 TAIWAN

Tel: +886-4-22313737 Fax: +886-4-22346757 www.seikaku.hk