



TH-120

Horn Flare

Features

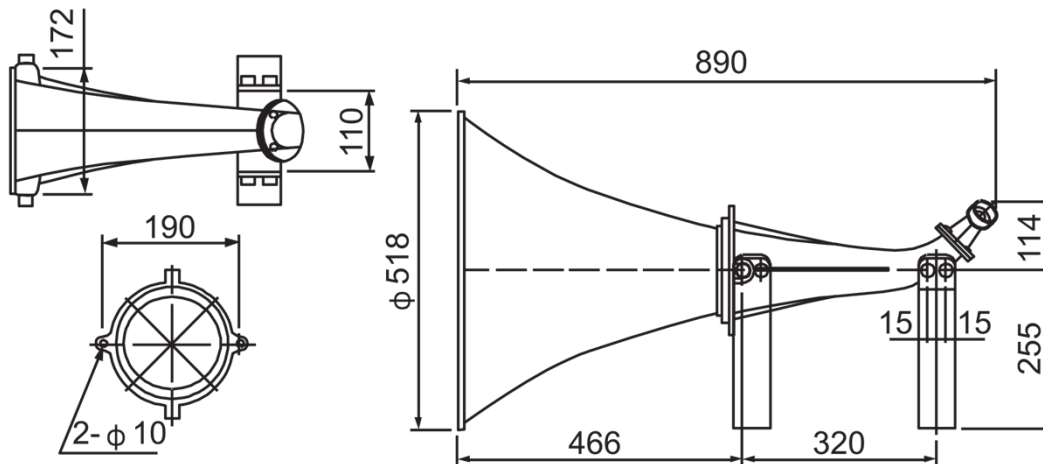
- TU and MT Series applicable drivers
- 1 - 3/8" 18 thread coupling
- Aluminum

The TH-120 is a long throw horn flare featuring two entries. It can be to be coupled with TU and MT drivers or to any drivers compatible with 1 - 3/8" 18 thread mounting. TH-120 is a high quality horn flare dedicated to announcement purposes. Made of aluminum the device can be used any places indoor or outdoor. The quality of manufacturing is recognized worldwide and gives incredible results especially in term of intelligibility and long distances coverage.



Specifications

MODEL	TH-120
Type	Long Throw Round (20") 2 Entries
Driver Coupling	1 - 3/8" 18 thread
Material	Aluminum
Pantone	1205C
Weight	5.8 kg (12.80 lbs.)



Specifications subject to modification without notice