



RVC-1000

Volume Controller
for MATRIX-A8

Features

- MATRIX-A8 channel Out volume control
- Input / Output channels routing
- LCD screen with output level display
- RD port IN, for connection to MARIX-A8
- RD port LINK for daisy chain connection
- 100 m CAT5e cable length

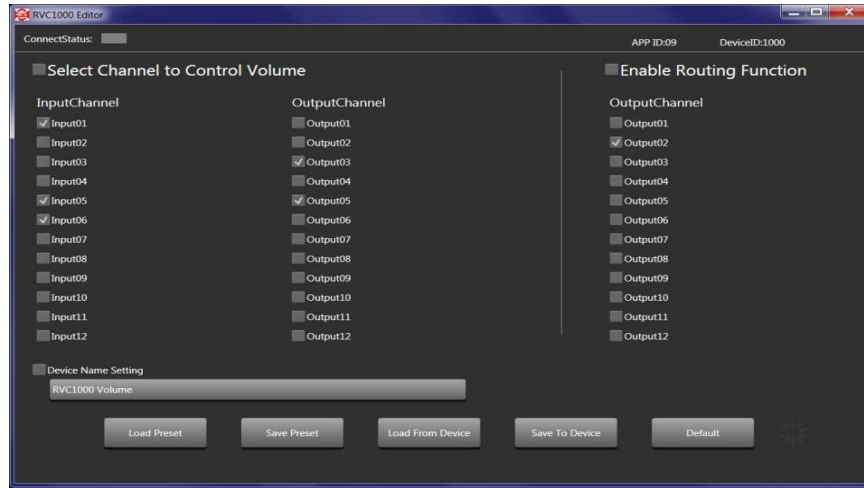


The RVC-1000 is a wall mounted remote volume controller. It can adjust the volume of any output of the MATRIX-A8 regardless the location of the box. The controller can also route any input to any output directly by using its control knob and its display, without the need of the Editor Software.

- LCD screen**
Display of the volume level and the signal routing.
- Volume and routing control**
Control of the output volume.
Access to the inputs and outputs routing menu by pressing the knob.
- RD port IN**
Connection to MATRIX-A8. The maximum CAT 5e cable length is 100 meters.
- RD port LINK**
Daisy connection for additional remote controller (8 controllers max)



Software Editor



Specifications

LCD Display

Adjustable volume range -120dB - 0dB

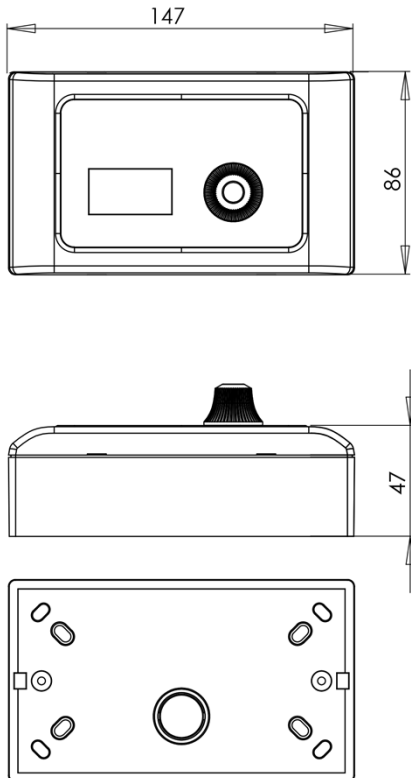
Ports

RD net to Matrix RJ45, 100 m cable

RD net LINK RJ45, 100 m cable

Dimensions L x H x D 147 x 86 x 47 mm

Specifications subject to modification without notice



RVC-1000 / RVA-200

