



RIO-200

Two Channel Input/ Output Box for MATRIX-A8

Features

- Built-in A/D & D/A converter
- 2 x analog inputs (MIC/ stereo line)
- 2 x analog outputs
- Phantom Power
- Input Sensitivity
- RD port IN, for connection to MATRIX-A8
- 100 m CAT5e cable length



The RIO-200 is a wall mounted remote box featuring 2 x analog inputs and 2 x analog outputs. It is used as an A/D and D/A converter for the digital inputs and outputs of the MATRIX-A8. Thus, the audio signal can be digitally transported over long distances (100 m) without loss of quality.

a. 2 Channel Inputs

A & B analog line Inputs assigned to channels 9/10 or 11/12 of MATRIX-A8.

a. Microphone Input

XLR connector for MIC. If connected, it replaces the A channel input.

b. Microphone volume

Button to adjust the MIC input level.

c. Phantom power

48V switchable phantom power f or electret MIC.

d. Signal indicators for the Inputs

Channel A (MIC) and B input signal status indicators for signal presence and clip.

e. Signal indicators for the Outputs

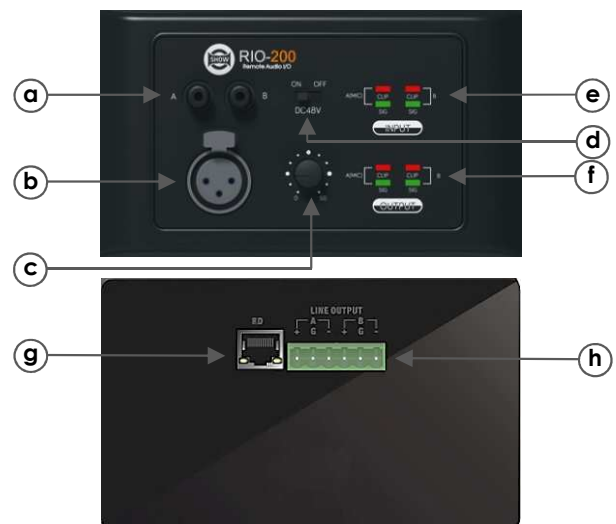
Channel A and B input signal status indicators.

f. RD Port

Connection to MATRIX-A8. The maximum CAT 5e cable length is **100 meters**.

g. 2 Channel Outputs

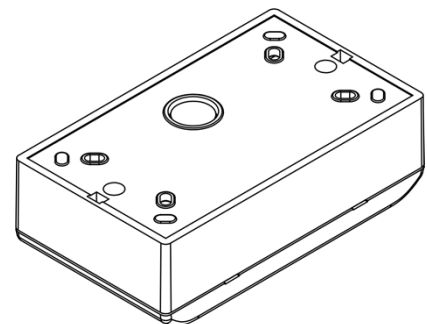
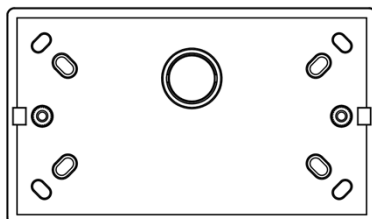
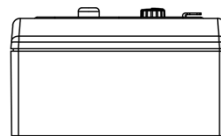
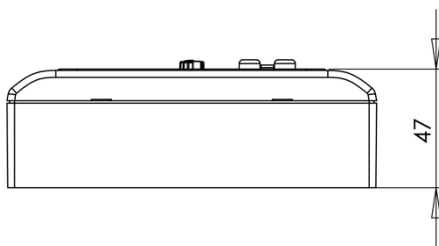
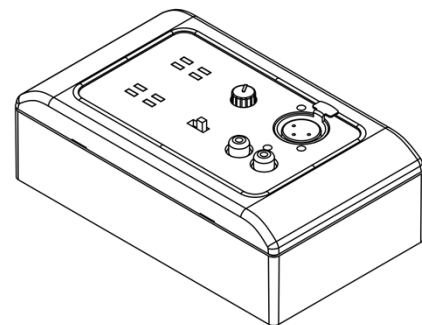
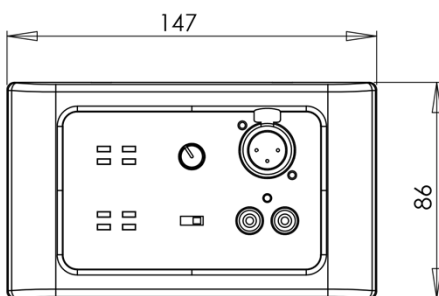
2 channel analog line Outputs assigned to channels 9/10 or 11/12 of MATRIX-A8.



Specifications

Inputs	Active Balanced
Connectors	3-pin female XLR, RCA
Input Impedance	5.1 k Ω
THD+N	< 0.01 % typ 20-20k Hz, +4 dBu
Maximum Input	20.0 dBu
Frequency Response	20-20k Hz, +0, -.05 Db
Dynamic Range	105 dB max, A weighted
Crosstalk	104 dBu , 20-20k Hz, +20 dBu, ch to ch
Outputs	Active Balanced
Connectors	Euroblock 1 x 6-pin, 5 mm pitch
Impedance	200 Ω \pm 1%
Maximum Output	+20.0 dBu
Frequency Response	20-20k Hz
Dynamic Range	105 dBu
Crosstalk	104 dB
Indicators	
Signal	-50 dBu Green LED, peak-reading
Overload	-0.5 dBu Red LED, peak-reading
Ports	
RD net to Matrix	RJ45, 100 m cable
Dimensions L x H x D	147 x 86 x 47 mm

Specifications subject to modification without notice



SEIKAKU TECHNICAL GROUP LIMITED

NO.1 LANE 17, SEC.2, HAN SHI WEST ROAD, TAICHUNG 40151 TAIWAN

Tel: +886-4-22313737 Fax: +886-4-22346757 www.seikaku.hk