

Features

- 2.4GHz ISM free band
- Multi-receivers
- Low latency

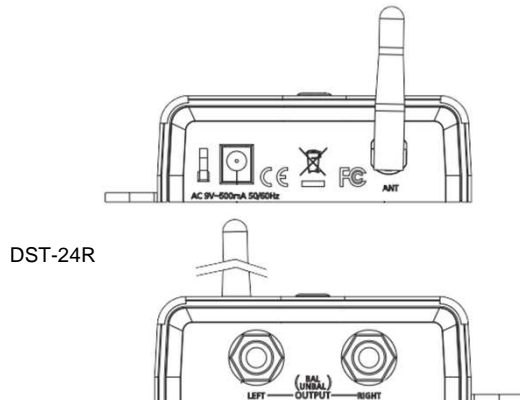


DTS-24 is a 2.4GHz digital wireless system for audio transmission and reception. It avoids cable connections between devices especially when a stereo source needs to be broadcast by several active speakers away from each other. The 2.4GHz is an ISM free band so and it can be used anywhere. The maximum distance exceeds 30 meters in open place. For indoor applications the radio wave reflections can help to extend this distance. One transmitter can work with unlimited number of receivers. An Intelligent Frequency Hoping function helps to avoid interference and ensure the channel quality. In case of really bad transmission, an automatic mute operates.

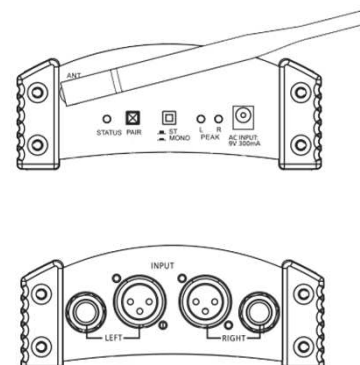
Specifications

MODEL	DST-24T / 24R
Power Supply	AC 9V Adaptor
Frequency	2404 ~ 2476 MHz
Channel	25
Modulation	GFSK
Receive Sensitivity (DST-24R)	-84dBm (Min)
Transmit Power (DST-24T)	6dBm
Output Level (DST-24R)	+3dBu (BAL Max.)
Input Level (DST-24T)	+5dBu (Max.)
Bandwidth	>= 1.8MHz
Frequency Response	20Hz ~ 20kHz (+/-3dB)
S/N	>80dB
Dynamic Range (@1kHz)	>90dB
Crosstalk (@1kHz)	>90dB
Distortion THD	<0.3% @1kHz
Latency	18ms

Specifications subject to modification without notice



DST-24R



DST-24T

SEIKAKU TECHNICAL GROUP LIMITED

NO.1 LANE 17, SEC.2, HAN SHI WEST ROAD, TAICHUNG 40151 TAIWAN

Tel: +886-4-22313737 Fax: +886-4-22346757 www.seikaku.hk