



NSP-5MB / NSP-6MB

Projector Speakers

Features

- 5", 6.5" full range speaker
- 20 - 30W
- 70/100V and low impedance
- White or Black cabinet
- EN 54-24

NSP MB Series features two models of projector speakers designed for indoor applications where directive sound is necessary in local areas.

Two models are available in black or white color. It features a 5" or 6.5" full range driver mounted in a stylish ABS box.

NSP Series is available with 70V and 100V transformers including low impedance tap position. The speakers are EN 54-24 certified.

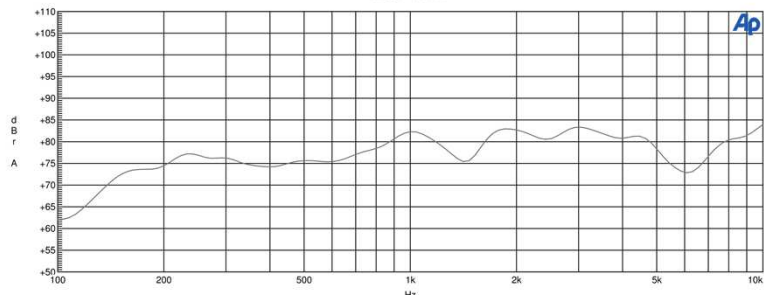


Specifications

MODEL	NSP-5MB	NSP-6MB
System type		Passive Projector Speaker
Standard	Certified to the European Standard EN 54-24 /2008 Loudspeaker for voice alarm systems for fire detection and fire alarm system	
Environment Type	Type A (Indoor applications)	
Transducer LF	5" full range speaker	6.5" full range speaker
Rated Noise Power	20W (100V and 70V line)	30W (100V and 70V line)
Frequency Response	130Hz – 20kHz	110Hz – 20kHz
	500Ω (20W)	333Ω (30W)
	1.0kΩ (10W)	666Ω (15W)
	2.0kΩ (5W)	1.33kΩ (7.5W)
Rated Impedance	250Ω (20W)	163Ω (30W)
	500Ω (10W)	333Ω (15W)
	1.0kΩ (5W)	666Ω (7.5W)
	(Bypass)	8Ω
Sensitivity	89dB (1W, 1m) (500Hz - 5kHz pink noise)	90dB (1W, 1m)
	77dB (1W, 4m) (100Hz - 10kHz pink noise, according to EN54-24)	78dB (1W, 4m)
	89dB (1W, 1m) (100Hz - 10kHz pink noise, converted based on EN54-24)	90dB (1W, 1m)
Max SPL	90dB (4m) (Rated noise power, according to EN54-24)	91dB (30W, 4m)
	102dB (20W, 1m) (100Hz - 10kHz pink noise, converted based on EN54-24)	103dB (30W, 1m)
Coverage Angle (H x V)	360° x 360° (500Hz)	360° x 360°
	202° x 202° (1kHz)	127° x 127°
	95° x 95° (2kHz)	76° x 76°
	68° x 68° (4kHz)	72° x 72°
Weight	1.8 kg (3.97 lbs)	2.8 kg (6.17 lbs)
Dimensions (φ x D)	154 x 218.5 mm 6.06" x 8.6"	203 x 288 mm 8.0" x 11.3"
Operating Temperature	-10°C to +50°C	
Applicable Cable	Solid wire: φ 6.5mm (18 AWG) UL2464	
Cable Connection	Steatite terminal x 6 speaker cable (φ 6.5mm). Enclosure : ABS + PC	
Finish	Mesh speaker grill : surface-treated steel plate, black or white paint Joint bracket, screws and stainless steel cable	

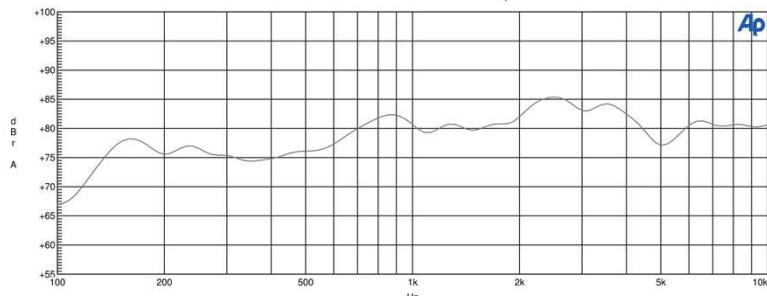
Specifications subject to modification without notice

NSP-5MB

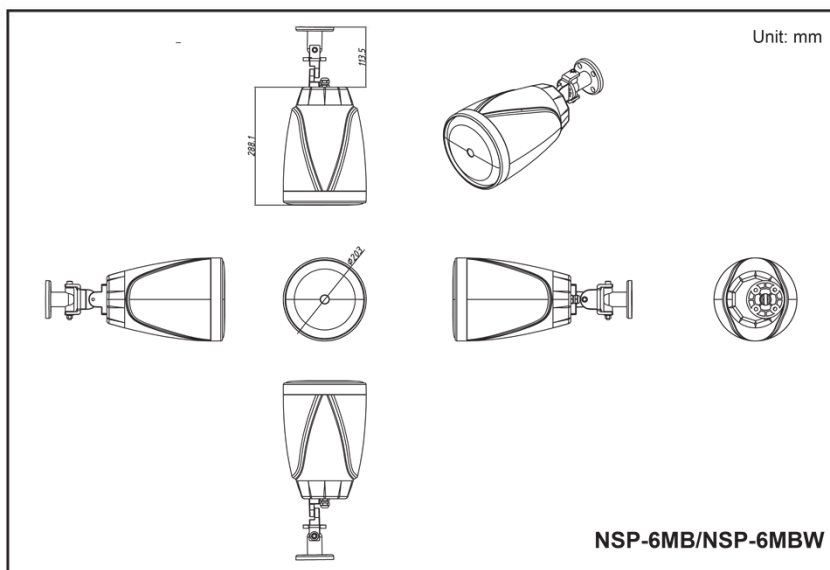
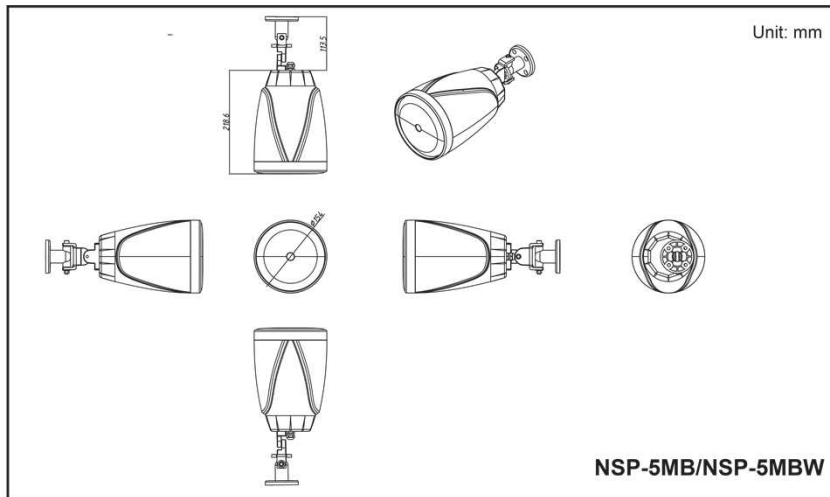


Frequency Response (1W, 4m)

NSP-6MB



Frequency Response (1W, 4m)



SEIKAKU TECHNICAL GROUP LIMITED

NO.1 LANE 17, SEC.2, HAN SHI WEST ROAD, TAICHUNG 40151 TAIWAN

Tel: +886-4-22313737 Fax: +886-4-22346757 www.seikaku.hk