



# S-LINK-8

Splitter/Mixer



## Features

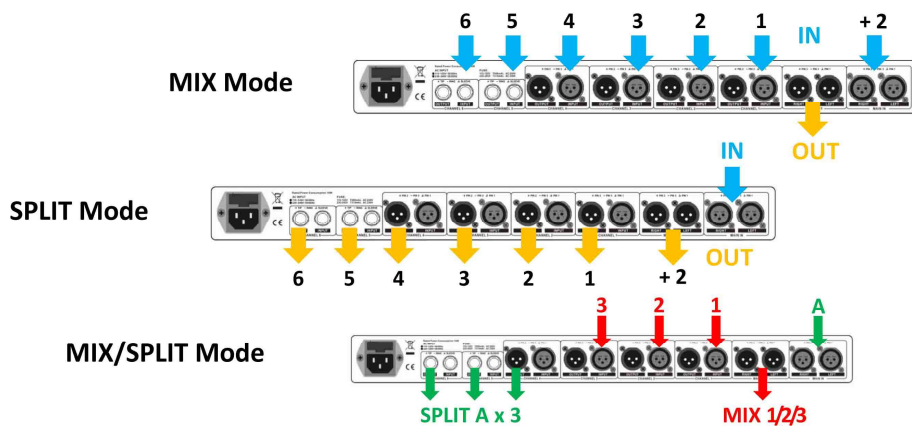
- 2 Inputs / 8 Outputs in splitter mode
- 8 Inputs / 2 Outputs in mixer mode
- Individual MIX / SPLIT modes
- Individual Balance / Pan. Control
- 8 x level meters

In many applications there is always a need to split and/or to mix audio signals without sophisticated equipment.

The S-LINK-8 is an inexpensive device which implements both splitting and mixing possibilities in a very simple way. By combining its functionalities the S-LINK-8 can split and mix at the time.

For instance, the MIXLINK 8 can be transformed into an 8 IN / 2 OUT mixer or a 2 IN / 8 OUT splitter, including various combinations like the example below.

All inputs and output are distributed with balanced connectors. 6 inputs and 6 outputs feature XLR and 2 inputs and 2 outputs used 1/4" phone jacks.



## Specifications

<b>Frequency Response</b>	20 Hz – 22kHz ± 2dBu
<b>Max. Input Gain</b>	20dB CH MIC. Input - Main out (XLR, balanced) 20dB CH MIC. Input - CH. out (XLR, balanced) 20dB CH MIC. Input - Main out (unbalanced) 20dB CH MIC. Input - CH. out (unbalanced)
<b>THD &amp; N (1 kHz)</b>	<0.02%
<b>Main Voltage</b>	220~240VAC / 110~120VAC 50/60Hz or 24VDC
<b>Impedance</b>	Microphone input: 50kΩ, Unbalanced input: 25kΩ Outputs: 60Ω balanced, 30Ω unbalanced
<b>Dimension (W x D x H)</b>	483 x 195 x 44 mm (19" x 7.5" x 1.7")
<b>Weight</b>	3.5 kg (7.72 lb)

Specifications subject to modification without notice



SEIKAKU TECHNICAL GROUP LIMITED

NO.1 LANE 17, SEC.2, HAN SHI WEST ROAD, TAICHUNG 40151 TAIWAN

Tel: +886-4-22313737 Fax: +886-4-22346757 www.seikaku.hk