



# CS-30R

Horn Loaded  
Projector Speaker

## Features

- 30W
- 100V, 70V, 50V operation
- 101 dB SPL
- ABS

CS-30R is horn loaded projector speaker dedicated to applications in noisy environment. It takes the benefit of the directivity performances of horn speakers with the large frequency response of sound projectors.

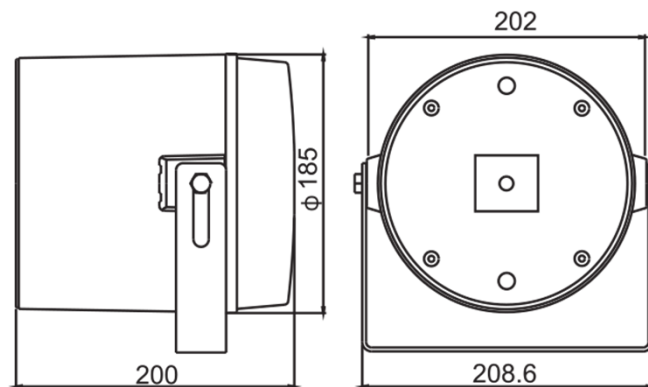
Made of ABS resin, the speaker is shock resistant and weatherproof. It features a line transformer with the choice of 100V, 70V and 50V operation mode.



## Specifications

<b>MODEL</b>	<b>CS-30R</b>
	Round horn loaded (CS-30R)
<b>Input Power (RMS)</b>	30W
<b>Input Impedance</b>	83 Ohms (50V line only) 165 Ohms (50V, 70V line only) 1.3k, 330, 670 Ohms
<b>Preset Impedance</b>	330 Ohms
<b>Frequency Response</b>	125 ~ 15kHz
<b>Transducer</b>	12 cm (4.7")
<b>Output Power</b>	7.5, 15, 30W
<b>SPL (1W/1m)</b>	101dB
<b>Material</b>	ABS
<b>Weight</b>	2.1kg (4.62 lbs)

*Specifications subject to modification without notice*



**SEIKAKU TECHNICAL GROUP LIMITED**

NO.1 LANE 17, SEC.2, HAN SHI WEST ROAD, TAICHUNG 40151 TAIWAN

Tel: +886-4-22313737 Fax: +886-4-22346757 www.seikaku.hk

2019 V.2