



### Features

- Mono or bi-directional (D models)
- 15W
- 5.5" transducer
- 50, 70, 100V
- IP44 (WP models)

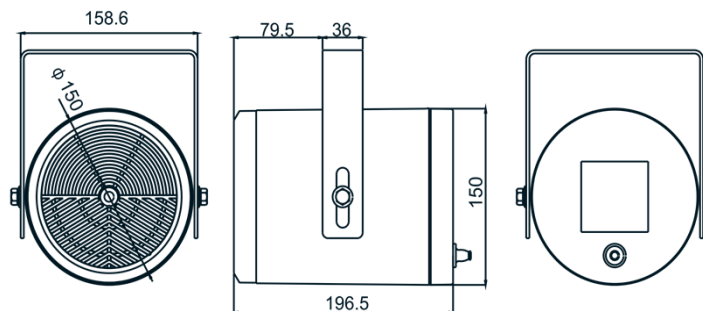
CSP-115 speakers are high-quality sound projectors designed for Public Address. Mono or bi-directional (D models), they are equipped with 5.5" full range transducers. They are the ideal solution for high intelligibility of speech and music outdoor or indoor. All models integrate high impedance outputs for 100V, 70V and 50V installations. The built-in transformer gives the choice of three power levels. Made of ABS resin the cabinet is scratch and shock resistant. The WP models are IP44 rated and can be used in covered installation not exposed to excessive dampness.



### Specifications

MODEL	CSP-115WP / CSP-115D / CSP-115DWP
Rated Power (RMS)	15W
Output	3.75, 7.5, 15W
Transducer	1 x 5.5" 8Ω plastic cone (CSP-115WP) 1 x 5.5" 8Ω paper cone (CSP-115D) 2 x 5.5" 8Ω plastic cone (CSP-115DWP)
Input Voltage	50, 70, 100V
Impedance	100V: 2.66kΩ, 1.33kΩ, 666Ω 70V: 2kΩ, 1.33kΩ, 666Ω, 326Ω 50V: 666Ω, 326Ω, 166Ω
Frequency Response	150Hz~20KHz
SPL (1W/1m)	94dB
Material	ABS resin
Protection rate	IP44 (WP models)
Dimensions (Diam. x L)	150 x 196.5 mm
Weight	1.8kg (CSP-115WP) - 2.0kg (CSP-115D/115DWP)

*Specifications subject to modification without notice*



CSP-115WP