



TH-15 /TH-16 /TH-20 /TH-A4A

Horn Flares



Features

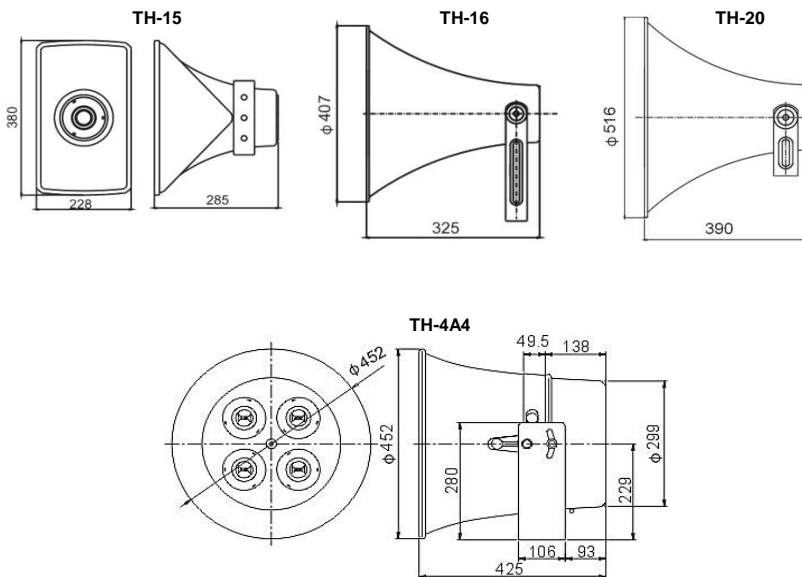
- TU and MT Series applicable drivers
- 1 - 3/8" 18 thread coupling
- Aluminum
- IP66

The TH Series includes several kind of horn flares to be coupled with TU and MT drivers. From 15" to 20" round shape to square and multi-entry designed, TH Series are high quality horn flare assemblies dedicated to announcement purposes. Made of aluminum the devices combined with drivers can be used any places indoor or outdoor. The quality of manufacturing is recognized worldwide and gives incredible results especially in term of intelligibility and long distances coverage.

Specifications

MODEL	TH-15	TH-16	TH-20	TH-4A4
Type	Reflex Square	Reflex Round (16")	Reflex Round (20")	Reflex Round (18") 4 Entries
Driver Coupling	1 - 3/8" 18 thread	1 - 3/8" 18" thread	1 - 3/8" 18 thread	1 - 3/8" 18 thread
Material	Aluminum	Aluminum	Aluminum	Aluminum
Protection Rate	IP66	IP66	IP66	IP66
Pantone	Cool gray 6C	Cool gray 6C	Cool gray 6C	Cool gray 6C
Weight	1.4 kg (3.09lbs.)	1.5 kg (3.09 lbs.)	1.9 kg (4.19 lbs.)	3.9 kg (7.05 lbs.)

Specifications subject to modification without notice



SEIKAKU TECHNICAL GROUP LIMITED

NO.1 LANE 17, SEC.2, HAN SHI WEST ROAD, TAICHUNG 40151 TAIWAN

Tel: +886-4-22313737 Fax: +886-4-22346757 www.seikaku.hk